



SVT

Roundtub Driers SVT



SP/LECK
Oberflächentechnik

30

60

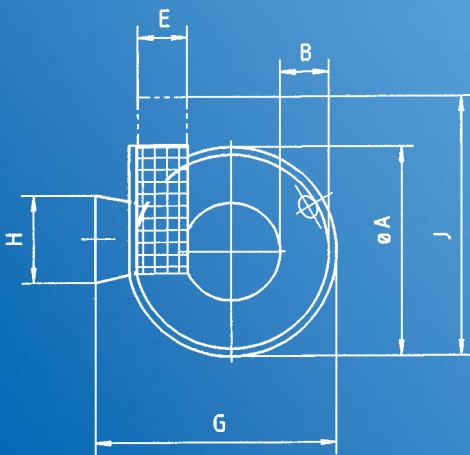
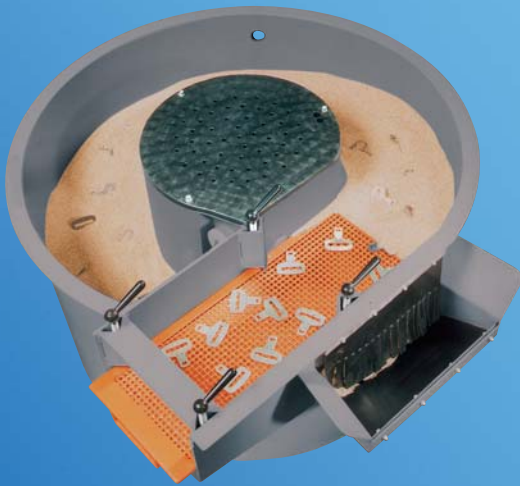
90

120

150

180

Roundtub Driers SVT 2, SVT 3, SVT 5

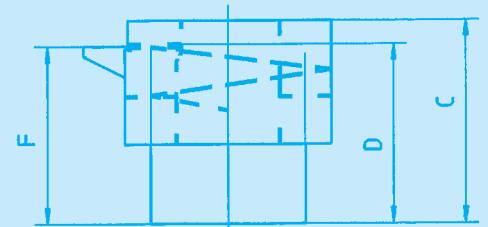


The unique Spaleck technology for better production

- ▲ Spotless drying
- ▲ Permanent heating and regeneration of the drying granulate
- ▲ Even distribution of the parts inside the working tub
- ▲ Drying of parts continuously or in batches
- ▲ Manually or pneumatically operated flaps available
- ▲ Dust extraction (optional)
- ▲ Paint green (RAL 6011) or as per request

Technical data:	SVT 2	SVT 3	SVT 5
Tub volume (l)	150	220	300
Operating voltage	400V/50 Hz	400V/50 Hz	400V/50 Hz
Motor output (kW)	0,75	0,75	1,5
Motor speed rpm	1400	1400	1400
Heating output (kW)	2,3/4,6	2,3/4,6	6,5/9,75
Net weight (kg)	400	500	1140
Max. weight (kg)	500	700	1420
Space requirement (basic machine) (m ²)	1,5	1,6	2,8

Dimensions in mm:	SVT 2	SVT 3	SVT 5
A	ø 1080	ø 1160	ø 1640
B	250	300	400
C	985	1050	1200
D	855	870	965
E	252	320	430
F	860	870	960
G	approx. 1250	approx. 1400	approx. 1800
H	450	430	600
J	approx. 1340	approx. 1500	approx. 2000



Subject to technical modifications



SPALECK Oberflächentechnik GmbH + Co. KG
 Postfach 2253 · D-46372 Bocholt
 Schlavenhorst 117 · D-46395 Bocholt
 Telefon +49 (0) 28 71 / 95 00-0
 Telefax +49 (0) 28 71 / 95 00-95
 www.spaleck.biz · info@spaleck.biz