



Deburring

Radiusing

Cleaning

Polishing

Burnishing

STV

Tub Vibrators STV



SPALECK
Oberflächentechnik

30

60

90

120

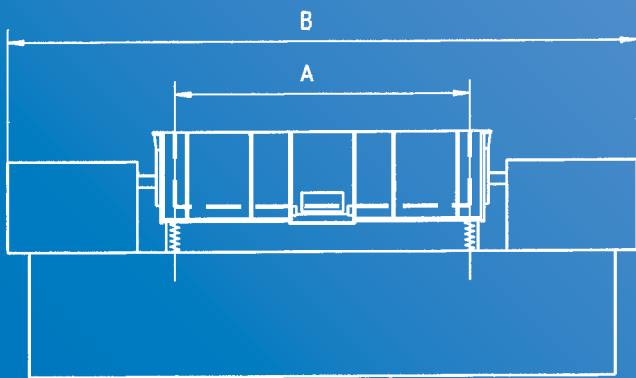
150

180

Tub Vibrators STV 500, STV 1000

The unique Spaleck technology for better production

- ▲ Direct drive for a good treatment intensity – economic and with little wear and tear
- ▲ Integrated separation
- ▲ Possibility to divide the tub with detachable partition walls for the treatment of delicate or varying types of parts
- ▲ Special, highly wear-resistant rubber lining, polyurethane optional
- ▲ Solid and functional machine design
- ▲ Paint green (RAL 6011) or as per request
- ▲ Sound insulation optional



Technical data:
Tub volume (l)
Operating voltage
Motor output (kW)
Motor speed (rpm)
Net weight (kg)
Max. weight (kg)
Space requirement (basic machine) (m ²)

STV 500
500
400 V/50 Hz
10,0
1400
1800
3000
6,0

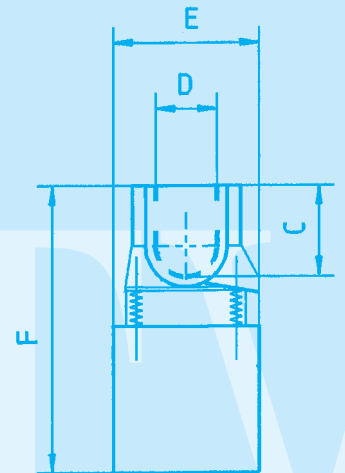
Dimensions in mm:
A
B
C
D
E
F

STV 500
1480
3500
700
640
1150
1260

Subject to technical modifications

STV 1000
1000
400 V/50 Hz
16,0
1400
2600
4950
7,5

STV 1000
1980
4100
800
790
1300
1420



SPALECK Oberflächentechnik GmbH + Co. KG
 Postfach 2253 · D-46372 Bocholt
 Schlavenhorst 117 · D-46395 Bocholt
 Telefon +49 (0) 28 71 / 95 00-0
 Telefax +49 (0) 28 71 / 95 00-95
 www.spaleck.biz · info@spaleck.biz