



Deburring

Radiusing

Cleaning

Polishing

Burnishing

SV

## Roundtub Vibrators SV



**SP/LECK**  
Oberflächentechnik

30

60

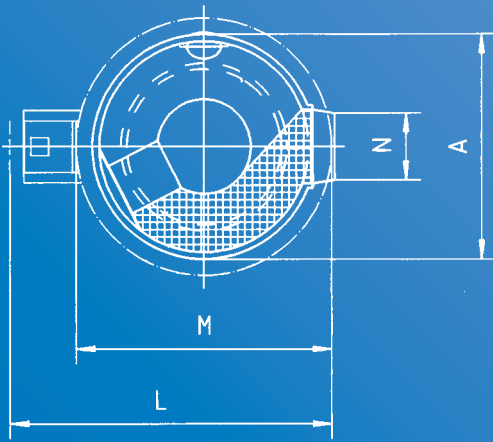
90

120

150

180

## Roundtub vibrators SV 2, SV 4, SV 6

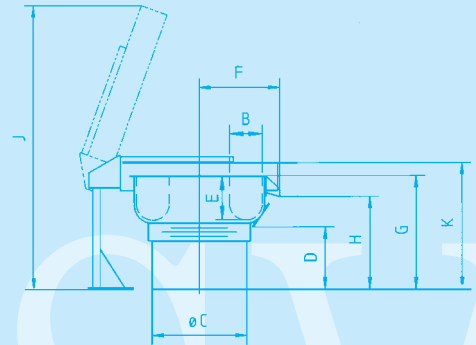


### The unique Spaleck technology for better production

- ▲ Direct drive for a good treatment intensity – economic and with little wear and tear
- ▲ Integrated separation
- ▲ Manually or pneumatically operated flaps available
- ▲ Special, highly wear-resistant polyurethane lining
- ▲ Simple to operate and little maintenance required
- ▲ Solid and functional machine design
- ▲ Paint green (RAL 6011) or as per request
- ▲ Sound insulation optional

Technical data:	SV 2	SV 4	SV 6
Tub volume (l)	200	400	600
Operating voltage	400/230 V/50 Hz	400/230 V/50 Hz	400/230 V/50 Hz
Motor output (kW)	3,0	3,0	7,5
Motor speed (rpm)	1400	1400	1400
Net weight (kg)	650	960	1210
Max. weight (kg)	950	1600	2400
Space requirement (basic machine) (m <sup>2</sup> )	1,4	2,2	2,8
Dimensions in mm:	SV 2	SV 4	SV 6
A	ø 1225	ø 1535	ø 1715
B	255	355	425
C	ø 800	ø 1100	ø 1200
D	approx. 600	approx. 650	approx. 600
E	415	470	545
F	740	900	980
G	1130	1270	1250
H	890	1010	985
J	approx. 2950	approx. 3350	approx. 3500
K	1270	1400	1400
L	approx. 1800	approx. 2050	approx. 2250
M	ø 1435	ø 1755	ø 1950
N	340	440	490

Subject to technical modifications



SPALECK Oberflächentechnik GmbH + Co. KG  
 Postfach 2253 · D-46372 Bocholt  
 Schlavenhorst 117 · D-46395 Bocholt  
 Telefon +49 (0) 28 71 / 95 00-0  
 Telefax +49 (0) 28 71 / 95 00-95  
 www.spaleck.biz · info@spaleck.biz