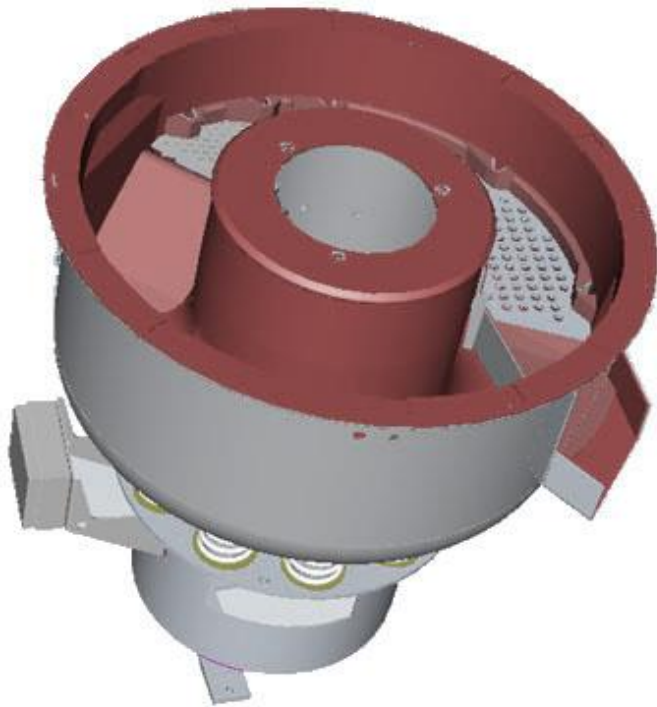


# Limitation of round tube vibrators in

## die casting application:



long  
separation  
time  
relative to  
treatment

Damages  
due to  
mass  
finishing

wear of  
lining at  
the flap

batch  
process  
limitations

high  
manual  
efforts

in line  
automati-  
sation is  
difficult